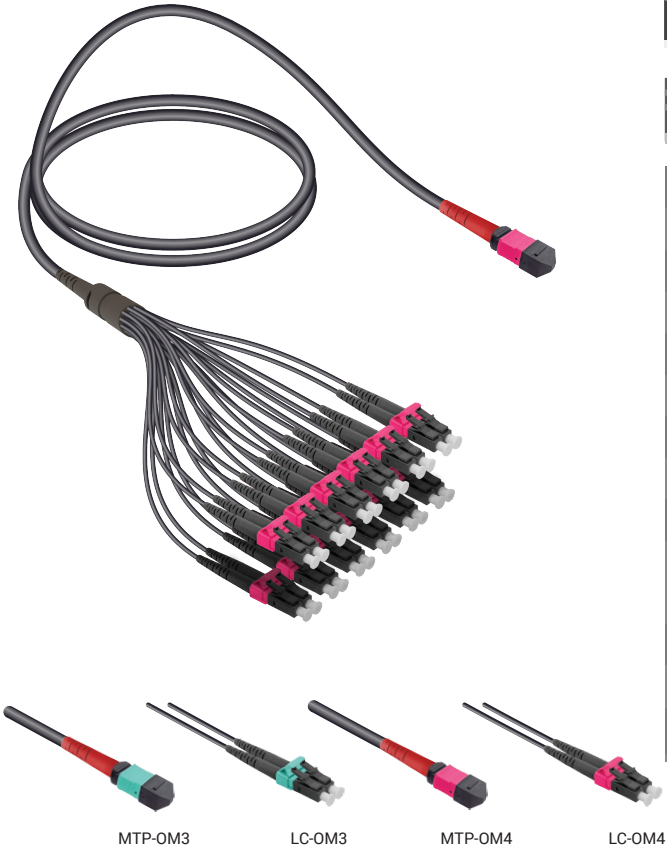
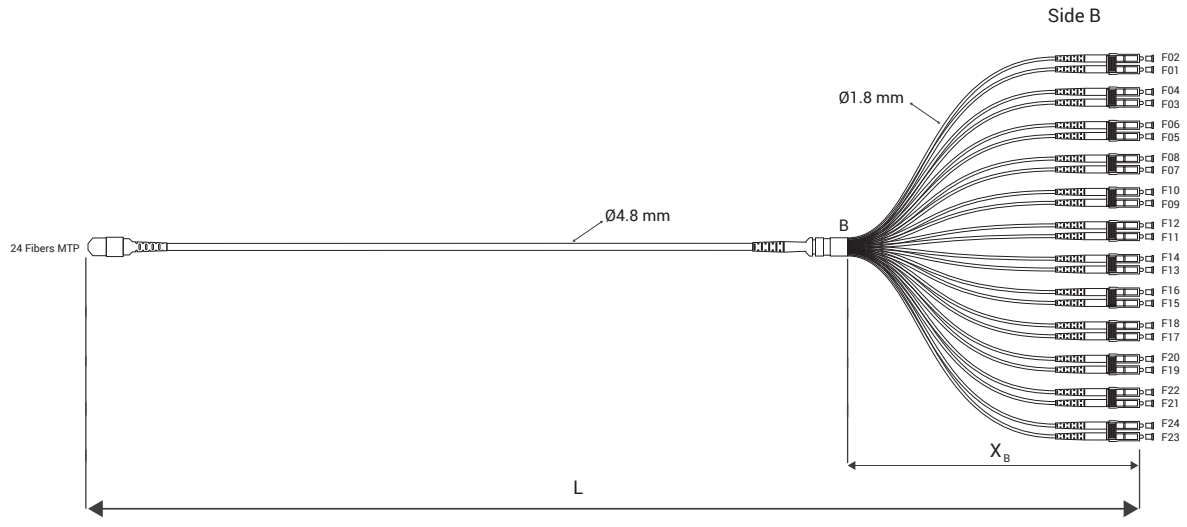


## 24 Fibers Multi Mode Fanout | 4.8mm

### Properties



MTP Connector Compliance	IEC 61754-7, TIA 604-5, RoHS
LC Connector Compliance	IEC 61754-20, TIA 604-10-A, RoHS
Base-24	24 Fibers
Cable Diameter	4.8mm
Subunit Diameter	1.8mm
Alignment Technology LC Side	Full ceramic ferrule (Zirconia ZrO2)
Operating Temperature	-10°C to +70°C
Flammability	UL94 V-0
Durability (MTP/LC)	> 100/1000 mating cycles
Transmission with Applied Tensile Load	50 Newton
Insertion Loss: IEC 61300-3-4-MB	MTP ≤ 0,35dB (avg: 0,1 dB); LC ≤ 0,4dB
Return Loss: IEC 61300-3-6-MB	MTP: ≥ 20dB; LC: ≥ 40dB
Connector End Face Geometry	IEC 61755-3



\* X (Tube Length) is standard 500mm. Please contact us for different tube length.

Sample Coding

**U - PC - 24 - MF - 418 - M4 - B - MTPEf - 12LCD - 005M**

Type	Type	Fiber Count	Cable Type	Diameter	Fiber Type	Polorization	1. Connector	2. Connector	Length
Universal: U	Patch Cord: PC	24 Fibers: 24	MTP/Fanout: MF	4.8/1.8mm: 418	MM G.651 OM3: M3 MM G.651 OM4: M4	A Polorization: A B Polorization: B	MTP-Female: MTPEf MTP-Male: MTPEm	LC-UPC: 12LCD	__M